

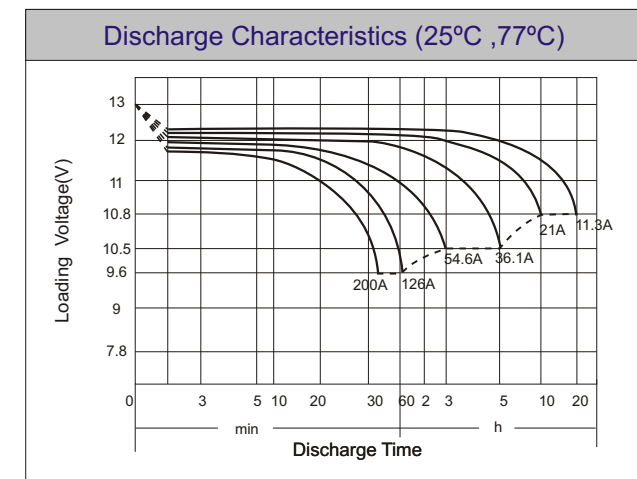
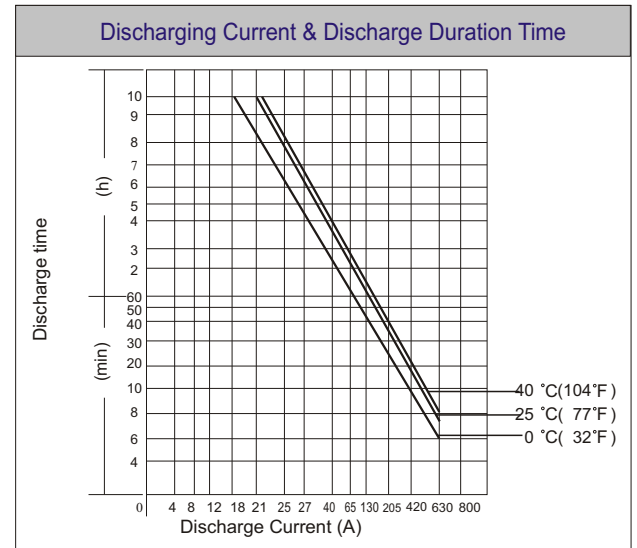
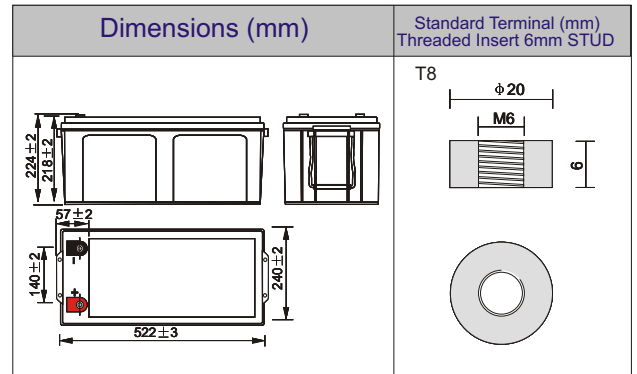


POWER-GUARD SERIES®



PG12V220

VRLA Sealed Long Life Battery



Physical Specification		
Nominal Voltage	12V	
Nominal Capacity (20HR)	226AH	
Dimension	Length	522 ± 3mm (20.55 inches)
	Width	240 ± 2mm (9.45 inches)
	Container Height	218 ± 2mm (8.58 inches)
	Total Height (with terminal)	224 ± 2mm (8.81 inches)
Weight	Approx 64kg (141.2lbs)	
Standard Terminal	T8 Threaded Insert 6mm STUD	

Electrical Specification					
Rated Capacity	20 hour rate (11.3 A)	226.0AH	Constant-Voltage	Cycle	Initial Charging Current less than 60A. Voltage 14.4V~ 15.0V at 25°C (77°F) Temp. Coefficient -30mV/C
	10 hour rate (21.0A)	210.0AH			
	5 hour rate (36.1A)	180.5AH			
	3 hour rate (54.6A)	163.8AH			
	1 hour rate (126.0A)	126.0AH			
Capacity affected by Temperature	40°C (104°F)	103%	Charge	Standby	No limit on Initial Charging Current Voltage 13.5V~13.8V at 25°C(77°F) Temp. Coefficient - 20mV/°C
	25°C (77°F)	100%			
	0°C (32°F)	86%			

Constant Current (Amp) and Constant Power (Watt) Discharge Table (25°C,77°F)												
Time(minute) Final voltage	20	30	45	60	120	180	240	300	360	480	600	1200
	1.3	1.6	1.6	1.67	1.7	1.75	1.75	1.75	1.75	1.8	1.8	1.8
Amps	315.0	241.5	168.0	126.0	73.5	54.6	42.0	36.1	31.9	25.0	21.0	11.3
W/Cell	617.4	455.7	333.9	249.5	146.2	108.8	83.8	72.0	63.8	50.0	42.0	22.6